



SQ3TS SYSTEM

TRAILER TOWABLE PORTABLE TRAFFIC SIGNAL WITH SOLAR ASSIST

The SQ3TS Portable Traffic Signal System combines fast efficient setup with highly reliable performance. The multitude of modular add-on components makes the SQ3TS the most versatile portable traffic signal system available today. The SQ3TS is the smart choice for a wide variety of short and long term traffic control applications. From a simple one lane bridge repair project to complete intersection control the SQ3TS has the attributes to provide safe efficient traffic control.

- Bulletproof 900 MHz radio communication
- True green time extensions
- Conflict monitoring
- Fast efficient setup
- Tandem tow signal trailers
- Highly visible 12" LED lights
- Adjustable overhead mast arm
- 180° rotating signal heads
- Fixed time, traffic actuated and manual operation options
- Controls up to nine traffic phases with sixteen signals
- Battery powered with solar & 110 volt charging

horizon

SIGNAL
TECHNOLOGIES
www.horizonsignal.com

APPLICATIONS



One-Lane Work Zones



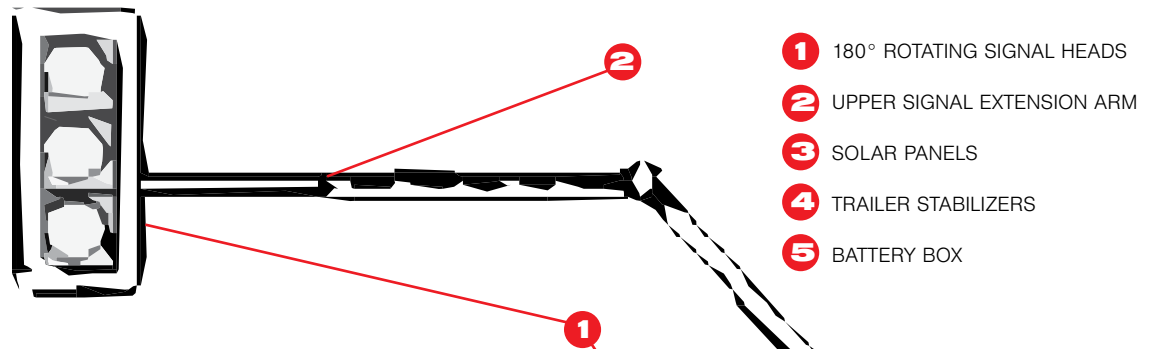
Bridge Maintenance



Multi-Phase Work Zones



Event Intersection Control



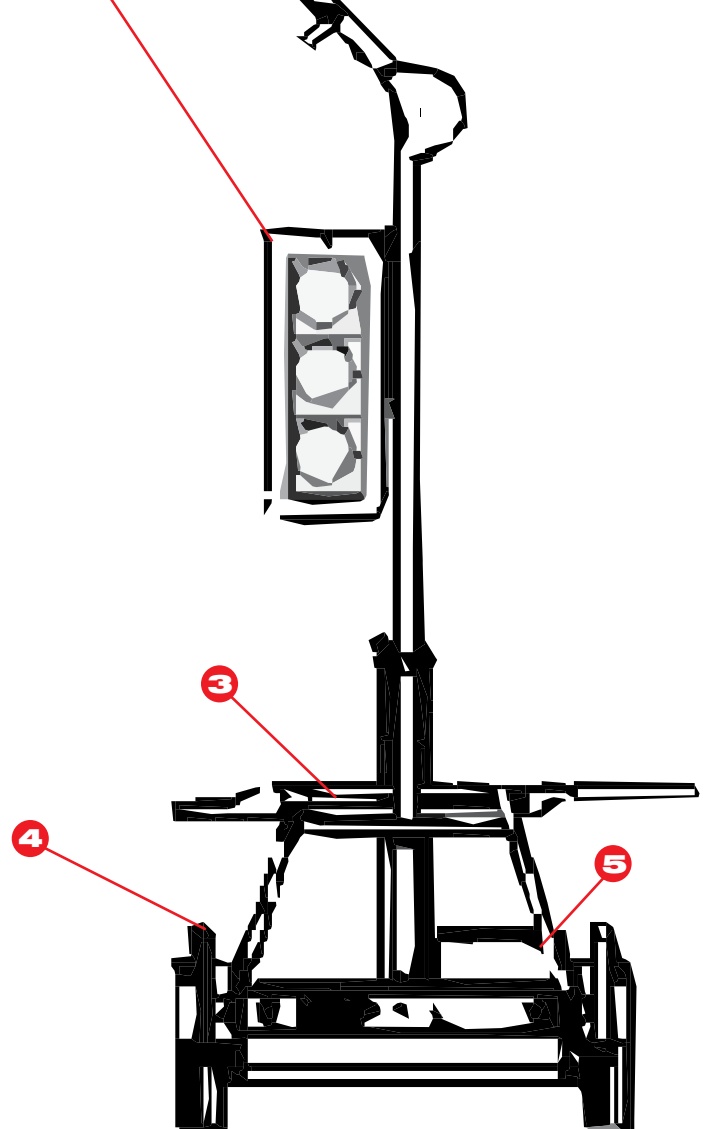
- 1** 180° ROTATING SIGNAL HEADS
- 2** UPPER SIGNAL EXTENSION ARM
- 3** SOLAR PANELS
- 4** TRAILER STABILIZERS
- 5** BATTERY BOX

AVAILABLE OPTIONS

GPS Monitoring	Provides information on location, operating status, battery voltage
Interface Module	Allows signal to operate in conjunction with a standard street corner control box
Pre-emption System	Recognizes emergency vehicles and changes signal status as programmed
Back Plates	Provides an additional background around the signal head to enhance visibility
Traffic Actuators	Facilitates traffic actuation via motion sensor or true presence video detection
Flagger/Pilot Car Module	Allows flagger or pilot car driver to control signal status with built in safeguards
Work Zone Light	Provides visual signal status inside a work zone

GENERAL SPECIFICATIONS

Signal Lamp Type	12" (30.5 cm) diameter LED
Signal Arm Extension Min/Max	68" to 109" (173 to 277 cm)
Solar Charge	450W min
Power Source	12V /16 6V batteries
Tow Height	89" (226 cm)
Trailer Width	85" (216 cm)
Trailer Weight	3000 lbs. (1361 kg)



General specifications for the SQ3TS System are subject to change without notice to reflect improvements and upgrades. Additional information is available. Contact Horizon Signal Technologies for details.



Horizon Signal Technologies
 216 Line Road
 Malvern, PA 19355
 (610) 687-8975
www.horizonsignal.com

DISTRIBUTED BY:



Quality Traffic Control, Inc.
 Traffic Control Contractor
 1704 E Euclid
 Des Moines, IA 50313
 Telephone: (515) 289-1824
 Fax: (515) 289-1622